

# 2MP Full HD IR Mini Bullet Camera

## SPNI-520NE-P



### Key Features

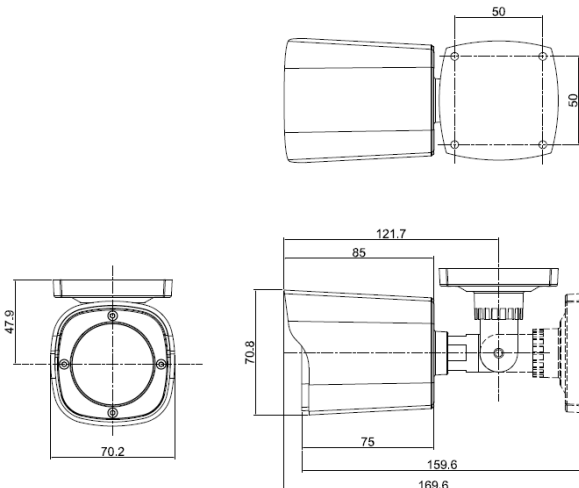
- 2MP 1/3 Inch Progressive CMOS Sensor
- High Definition Resolution - MAX 30fps@1920x1080
- Dual Streaming - H.264, MJPEG
- Adjustable Video Bitrate : 256kbps ~ 10,000kbps
- Support Protocol : TCP, UDP, RTSP, ONVIF (Profile S)
- Various transmission mode: CBR, VBR
- UPnP (Universal Plug and Play)
- Composite Video Output
- Various Functions
  - TDN / BLC / 5 motion detection zones
- 24 IR LED , 25M Shooting distance
- Board lens - 3.3mm Fixed Focal Length, F2.0
- PoE (Default)
- IP66 Grade (Weatherproof)
- Language : English

### Technical Specifications

Items	SPNI-520NE-P	
Camera	Image Device / Scanning System	1/3 inch CMOS / Progressive Scan
	Effective Pixels array size	1,944(H) X 1,092(V) : 2.1M
	Mn. Illumination	0.1Lux (ICR ON) with 50IRE
	Quantity of IR LED	24 EA
	Visual range	25M
Lens	Focal Length	3.3mm (Fixed Focal Lens)
	Aperture Ratio	F# 2.0
	Angular Field of View	H : 55° / V : 42°
	Min. Object Distance	0.5M
Function	Day & Night	Color, Optical ICR Filter
	Backlight Compensation	ON / OFF
	Motion Detection	ON (5 programmable zones) / OFF
	White Balance	Auto / Indoor / Outdoor
	Electronic Shutter Speed	Auto / Flickerless(ON/50Hz/60Hz) / Manual (1/6~ 1/1000sec)
	Video Out	CVBS : Composite NTSC/PAL, BNC connector
Network	Ethernet	RJ-45 (10/100BASE-T)
	Video Compression Format	H.264 / MJPEG
	Max. Resolution @ FPS	H.264 / MJPEG : 1920 x 1080 / 1280 x 720 / 704 x 480 / 352 x 240 @ 30 fps
	Video Quality Adjustment	H.264 : Compression Level, Target Bitrate Level Control MJPEG : Quality Level Control (5 step)
	Bitrates Control Method	H.264: VBR, CBR / MJPEG : VBR
	Streaming Capability	Primary, secondary
	IP	DHCP/IPv4
	Protocol	ONVIF, TCP/IP, UDP/IP, RTP(UDP), RTP(TCP), RTSP, NTP, HTTP, HTTPS, DHCP, FTP, SMTP, ARP, DNS, DDNS
	Security	HTTPS Login Authentication, IP Address Filtering, User access Log
	Streaming Method	Unicast, Multicast
	Max. User Access	4 users
	Recording Mode	Always/ Motion Detection/ Event/ Schedule
	Webpage Language	English
	Web Viewer	Supported OS : Windows XP Higher
	Central Management SW	Supported Web Browser : Internet Explorer 7.0 or Higher
	Mobile Viewer	E-VMS (9ch Free Bundle Software) M-EYES
	Others	Operating Temperature / Humidity
Dust proof and Weather Proof		IP66 Grade(Weatherproof)
Power Input		PoE, DV12V/700mA
Dimension / Weight		Ø70.2(W) x 169.6(D)mm / Material : Aluminium / 420g

All specifications are subject to change without notice

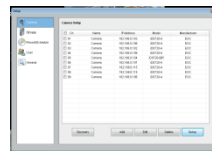
### Dimensions (mm)



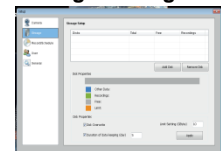
### E-VMS



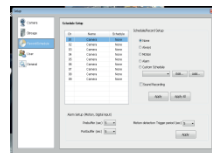
#### Camera Setting



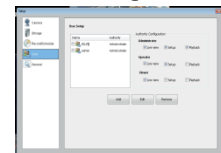
#### Storage Setting



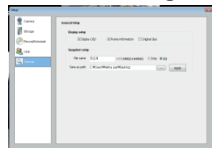
#### Rec/Schedule Setting



#### User Setting



#### General Setting



#### Playback

